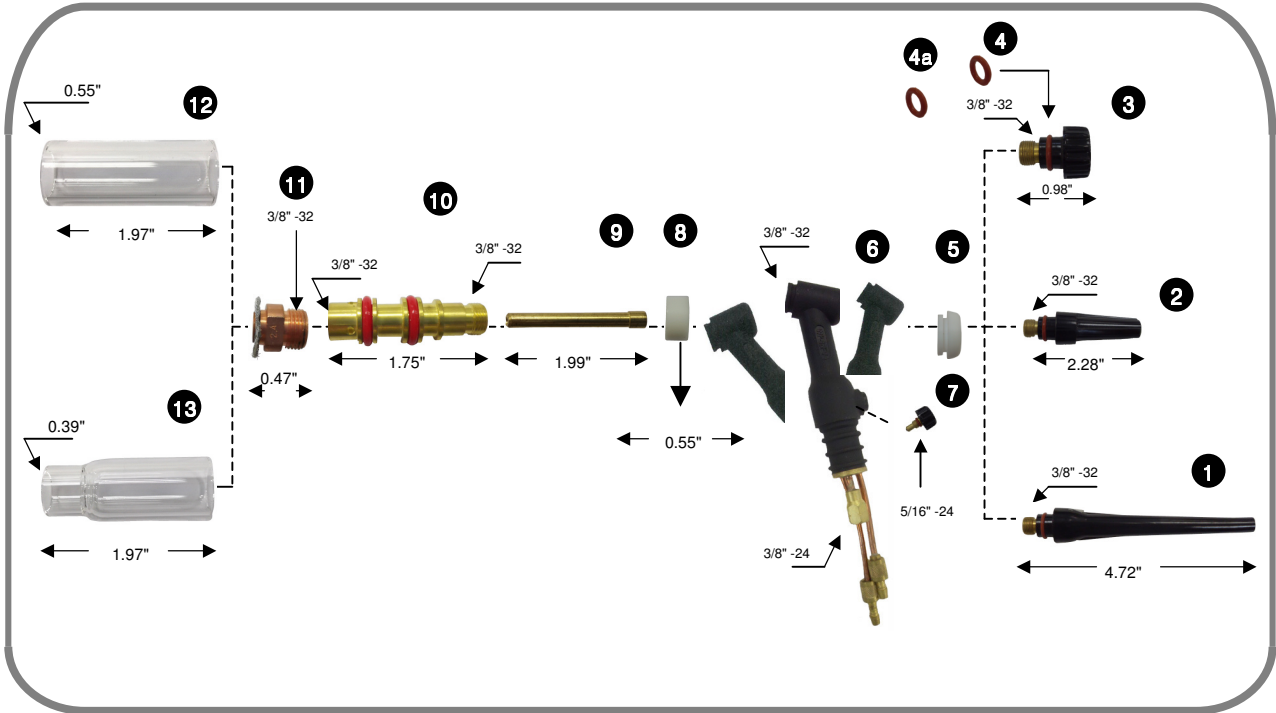


Clear Quartz Nozzle Tig Torch & Parts – H3S1 Set for #17, #18 & #26



No.	Description	Part No.
1	Back Cap, Long	57Y02
2	Back Cap, Medium	57Y05 (=300M)
3	Back Cap, Short	57Y04
4	O-Ring for 57Y02 & 57Y04	98W18
4a	O-Ring for 57Y05 (=300M)	85W50
5	Back Insulator	18-7
	Torch Body	17
	Torch Body, w/Valve	17V
	Torch Body, Flexible	17F
	Torch Body, Flexible w/Valve	17FV
	Torch Body	18
	Torch Body, w/Valve	18V
	Torch Body, Flexible	18F
6	Torch Body, Flexible w/Valve	18FV
	Torch Body, Straight	18P
	Torch Body	26
	Torch Body, w/Valve	26V
	Torch Body, Flexible	26F
	Torch Body, Flexible w/Valve	26FV
	Torch Body, Straight	26P
7	Valve	VS-2
8	Gasket	H3S12GK17
9	Wedge Collet	See Chart
10	Bushing	H3S1BS17
11	Tungsten Adapter	See Chart

No.	Description	Part No.	I.D. Gas End
12	Quartz Nozzle - Straight	QZ1450-1-14	0.55" (Ø14mm)
13	Quartz Nozzle - Bottleneck	QZ1450-2-10	0.39" (Ø10mm)

No.	Description				
	Electrode	.040"	1/16"	3/32"	1/8"
	Diameter	(1.0mm)	(1.6mm)	(2.4mm)	(3.2mm)
	Nozzle Size	#5	#6	#7	#8
Standard Set-Up					
8	Gasket	H3S12GK17			
9	Wedge Collet	H3S13WC-1.0	H3S13WC-1.6	H3S13WC-2.4	H3S13WC-3.2
		(10N22)	(10N23)	(10N24)	(10N25)
10	Bushing	H3S1BS17			
11	Tungsten Adapter	H3S12H6S1TA-1.0	H3S12H6S1TA-1.6	H3S12H6S1TA-2.4	H3S12H6S1TA-3.2



GRACEDUTY COMPANY LIMITED

Room 1102 – 1104, 11/F., CRE Centre,
889 Cheung Sha Wan Road, Kowloon, Hong Kong, China
Tel: (852) 2420-5808 (6 Lines) Fax: (852) 2420-5507
E-mail: welding@graceduty.com.hk http://www.graceduty.com.hk